



Service Manual / Manuel de Service

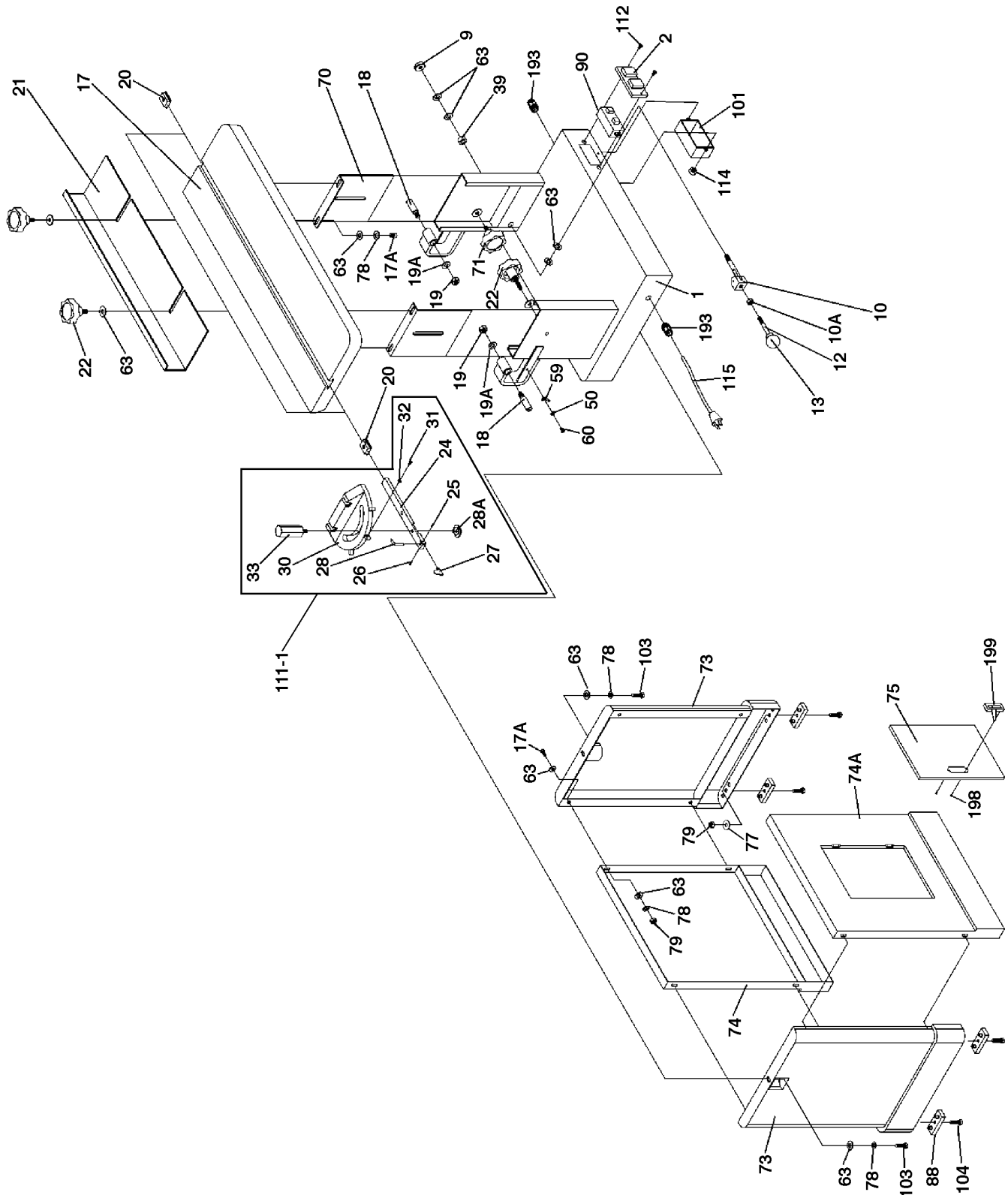
6" x 89" Oscillating Edge Sander Ponceuse de Chant Oscillante 6" x 89"



Revised/Revisé 08/2008

Base Diagram / Diagramme de la Base

KC-689-OSC-7





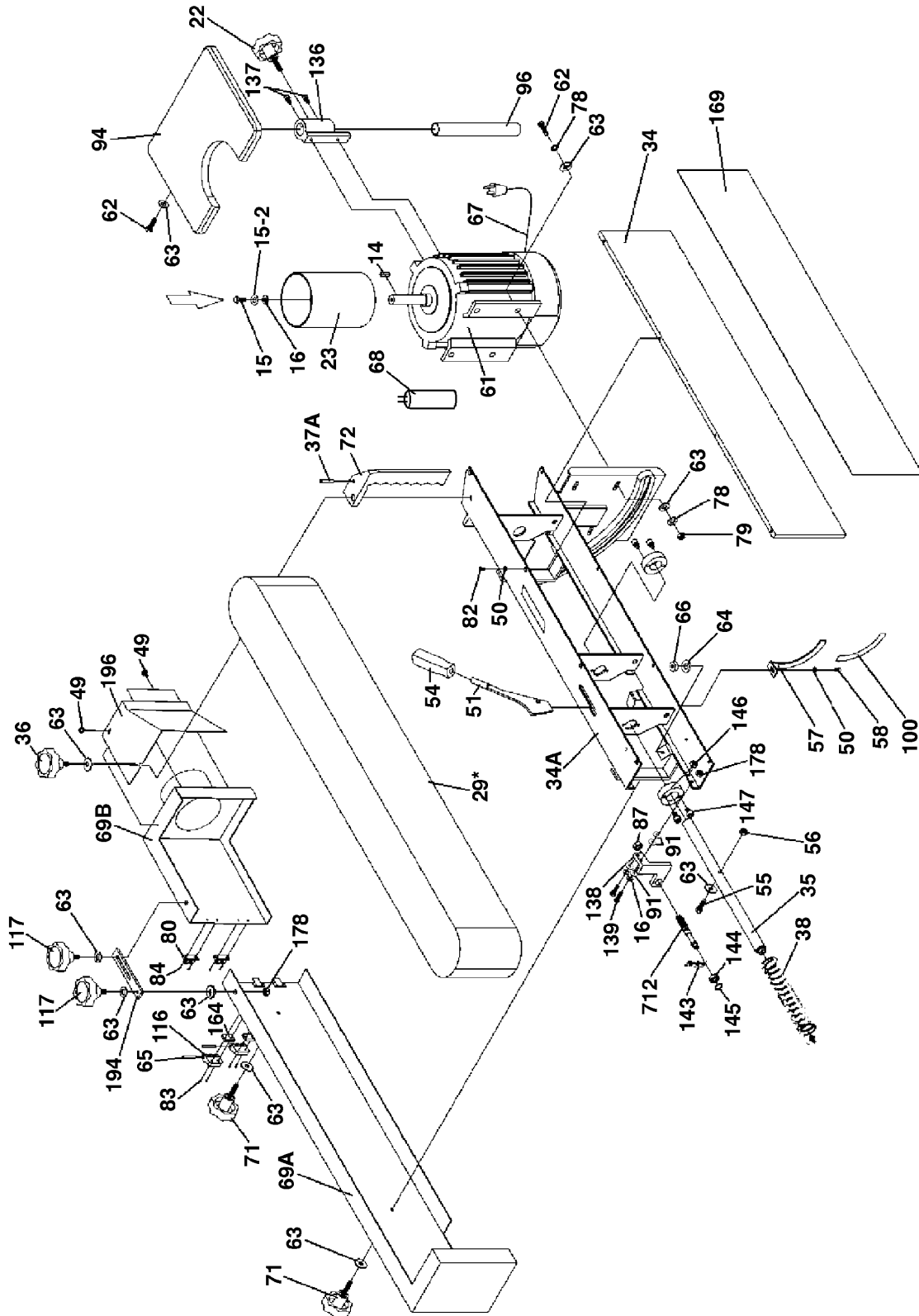
Service Manual / Manuel de Service
6" x 89" Oscillating Edge Sander
Ponceuse de Chant Oscillante 6" x 89"



Revised/Revisé 08/2008

Belt Frame Diagram /
Diagramme du Chassis de la Courroie

KC-689-OSC-7





Service Manual / Manuel de Service

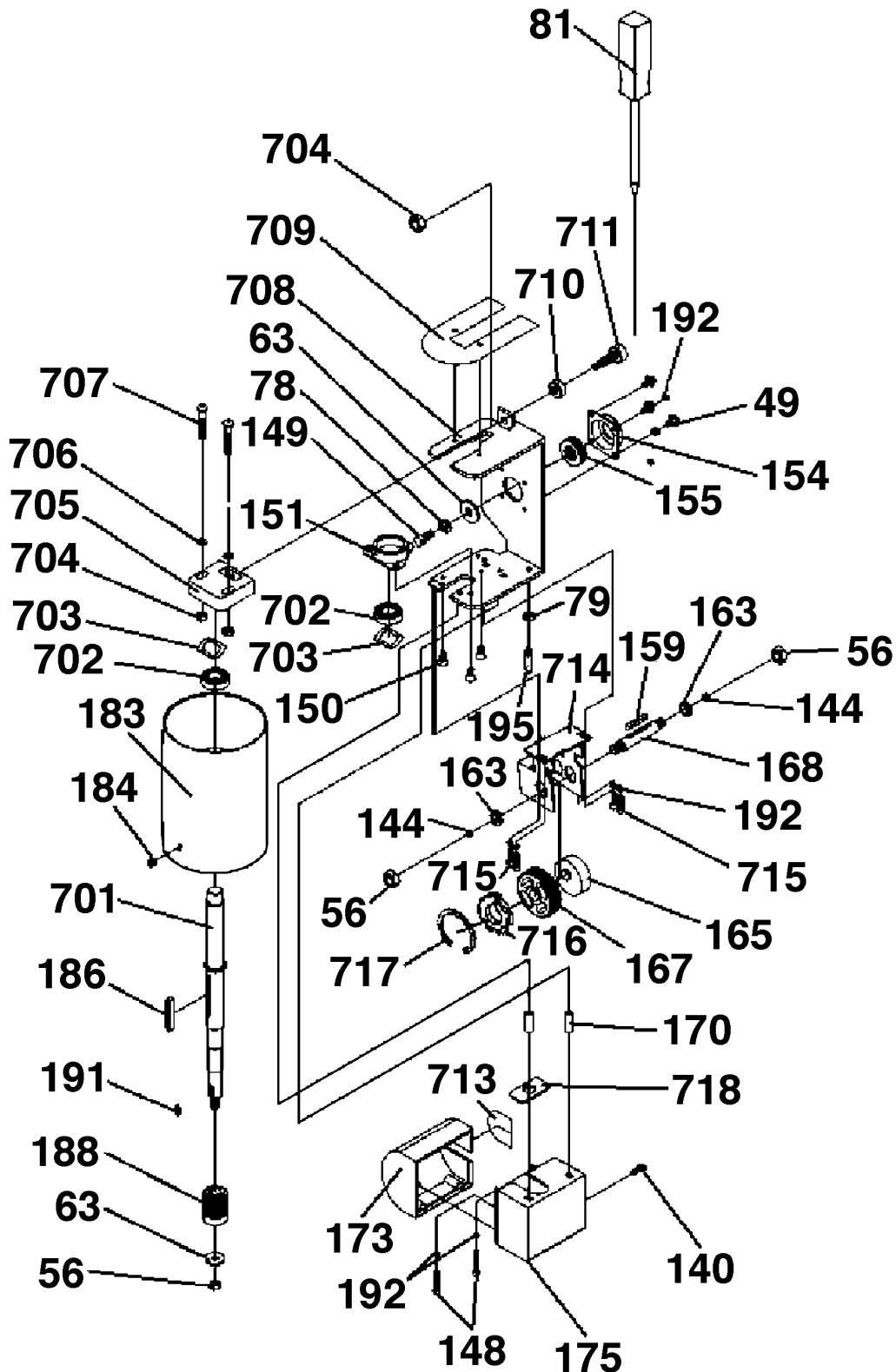
6" x 89" Oscillating Edge Sander Ponceuse de Chant Oscillante 6" x 89"



Revised/Revisé 08/2008

Oscillating Mechanism Diagram / Diagramme du Mécanisme Oscillante

KC-689-OSC-7





Parts Pricing List / Liste de Prix des Pièces **KC-689-OSC-7**

Diag.	Order # Com.	English Description	Description Française	Qty./Qté.	Price/Prix
1	1168900010	TABLE SUPPORT	SOCLE	1	\$373.75
2	1168900020	SWITCH PLATE	PLAQUE DE L'INTERRUPTEUR	1	\$26.39
9	1168900090	SPECIAL NYLON NUT	ECROU AVEC NYLON SPECIAL	1	\$3.28
10	1168900100	ECCENTRIC LOCK ASSEMBLY	BARRURE EXCENTRIQUE ASS.	1	\$20.64
10A	1168900101	HEX. NUT	ECROU HEXAGONAL	1	\$1.61
12	1168900120	HANDLE	POIGNEE	1	\$4.54
13	1168900130	KNOB	BOUTON	1	\$4.89
14	1168900140	KEY	CLE DE RETENUE	1	\$1.90
15	1168900150	HEX. BOLT	BOULON HEXAGONAL	1	\$1.67
15-2	1168900152	SPRING WASHER	RONDELLE A RESSORT	1	\$1.50
16	1168900160	WASHER	RONDELLE	3	\$2.47
17	1168900170	WORK TABLE	TABLE DE TRAVAIL	1	\$316.25
17A	1168900171	HEX. BOLT	BOULON HEXAGONAL	16	\$1.67
18	1168900180	SPECIAL LOCK BOLT	BOULON DE VERROUILLAGE SPEC.	2	\$5.69
19	1168900190	HEX. NUT	ECROU HEXAGONAL	2	\$1.61
19A	1168900191	SPRING WASHER	RONDELLE A RESSORT	2	\$1.55
20	1168900200	T-NUT	ECROU COULISSANT	2	\$10.29
21	1168900210	FENCE	GUIDE D'APPUI	1	\$91.83
22	1168900220	LOCK KNOB	BOUTON DE VERROUILLAGE	4	\$10.29
23	1168900230	MOTOR ROLLER	ROULEAU DU MOTEUR	1	\$86.19
24	1168900240	MITER GAUGE BAR	BARRE DU GUIDE A ONGLETS	1	\$17.19
25	1168900250	SPRING PIN	GOUPILLE A RESSORT	1	\$1.67
26	1168900260	SET SCREW	VIS SANS TETE	1	\$1.61
27	1168900270	LOCATING PLATE	PLAQUE D'ARRET	1	\$2.59
28	1168900280	POINTER	INDICATEUR	1	\$2.47
28A	1168900281	SLIDING WASHER	RONDELLE COULISSANTE	1	\$7.88
29	SB-689	SANDING BELT	COURROIE DE PONCAGE	1	-
30	1168900300	MITER GAUGE BODY	BOITIER DU GUIDE A ONGLETS	1	\$36.63
31	1168900310	PAN HD SCREW	VIS A TETE BOMBEE	3	\$1.67
32	1168900320	HEX. NUT	ECROU HEXAGONAL	3	\$1.50
33	1168900330	MITER GAUGE HANDLE	POIGNEE DU GUIDE A ONGLETS	1	\$7.53
34	1168900340	SUPPORT PLATE	PLAQUE DE SUPPORT	1	\$274.85
34A	1168900341	SANDING BELT FRAME	CHASSIS DE LA COURROIE	1	\$286.35
35	1168900350	TENSION BAR	BARRE DE TENSION	1	\$63.19
36	1168900360	LOCK KNOB	BOUTON DE VERROUILLAGE	1	\$10.75
37A	1168900371	SPRING PIN	GOUPILLE A RESSORT	1	\$2.24
38	1168900380	COMPRESSION SPRING	RESSORT A COMPRESSION	1	\$32.03
39	1168900390	SPACER BUSHING	BAGUE D'ESPACEMENT	1	\$5.58
49	1168900490	PAN HD SCREW	VIS A TETE BOMBEE	11	\$1.50
50	1168900500	TOOTH WASHER	RONDELLE DENTELEE	15	\$1.67
51	1168900510	TENSION LEVER	LEVIER DE TENSION	1	\$20.64
54	1168900540	TENSION LEVER HANDLE	POIGNEE DE LEVIER DE TENSION	1	\$6.50
55	1168900550	HEX. BOLT	BOULON HEXAGONAL	1	\$2.13
56	1168900560	NYLON HEX. NUT	ECROU HEXAGONAL AVEC NYLON	4	\$1.55
57	1168900570	TILT SCALE	EHELLE D'INCLINAISON	1	\$10.18
58	1168900580	PAN HD SCREW	VIS A TETE BOMBEE	1	\$1.67
59	1168900590	WIDTH POINTER	INDICATEUR	1	\$3.62

Pricing subject to change without prior notice. / Prix sujet à changement sans préavis.



Parts Pricing List / Liste de Prix des Pièces **KC-689-OSC-7**

Diag.	Order # Com.	English Description	Description Française	Qty./Qté.	Price/Prix
60	1168900600	PAN HD SCREW	VIS A TETE BOMBEE	2	\$1.55
61	1168900610	MOTOR	MOTEUR	1	\$343.85
62	1168900620	HEX. BOLT	BOULON HEXAGONAL	7	\$2.01
63	1168900630	WASHER	RONDELLE	49	\$1.61
64	1168900640	SPRING WASHER	RONDELLE A RESSORT	1	\$1.55
65	1168900650	HINGE ROD	TIGE POUR CHARNIERE	2	\$3.74
66	1168900660	HEX. NUT	ECROU HEXAGONAL	1	\$1.55
67	1168900670	MOTOR CORD	CORDON DU MOTEUR	1	\$16.04
68	1168900680	STARTING CAPACITOR	CONDENSATEUR DE DEMARRAGE	1	\$38.93
69A	1168900691	MAIN BELT COVER	COUVERCLE PRINCIPALE	1	\$74.58
69B	1168900692	BELT END COVER	COUVERCLE DU BOUT	1	\$86.19
70	1168900700	HEIGHT ADJUSTMENT PLATE	PLAQUE D'AJUST. EN HAUTEUR	2	\$21.79
71	1168900710	LOCK KNOB	BOUTON DE VERROUILLAGE	3	\$10.52
72	1168900720	WORK STOP	ARRET DE TRAVAIL	1	\$17.08
73	1168900730	STAND SIDE PANEL	PANNEAU DE COTE	2	\$73.54
74	1168900740	STAND BACK PANEL	PANNEAU ARRIERE	1	\$57.44
74A	1168900741	STAND FRONT PANEL	PANNEAU AVANT	1	\$55.03
75	1168900750	STAND DOOR	PORTE DU CABINET	1	\$28.46
77	1168900770	WASHER	RONDELLE	4	\$1.61
78	1168900780	SPRING WASHER	RONDELLE A RESSORT	22	\$1.67
79	1168900790	HEX. NUT	ECROU HEXAGONAL	20	\$1.55
80	1168900800	HINGE	PENTURE	2	\$3.85
81	1168900810	BELT TRACKING TOOL	OUTIL ADJUST. DE L'ALIGNEMENT	1	\$9.14
82	1168900820	COUNTERSUNK SCREW	VIS A TETE FRAISEE	8	\$1.78
83	1168900830	COUNTERSUNK SCREW	VIS A TETE FRAISEE	4	\$1.96
84	1168900840	COUNTERSUNK SCREW	VIS A TETE FRAISEE	4	\$1.67
87	1168900870	NYLON HEX. NUT	ECROU HEXAGONAL AVEC NYLON	2	\$2.53
88	1168900880	RUBBER PAD	PIED EN CAOUTCHOUC	4	\$4.31
90	1168900900	SWITCH	INTERRUPTEUR	1	\$34.44
91	1168900910	WASHER	RONDELLE	6	\$1.55
94	1168900940	END TABLE	TABLE DU BOUT	1	\$133.34
96	1168900960	END TABLE POST	POTEAU DE LA TABLE DU BOUT	1	\$15.93
100	1168901000	ANGLE SCALE	ECHELLE DES ANGLES	1	\$3.39
101	1168901010	REAR SWITCH BOX	BOITIER ARRIERE DE L'INTERR.	1	\$17.19
103	1168901030	HEX. BOLT	BOULON HEXAGONAL	2	\$2.01
104	1168901040	PAN HD SCREW	VIS A TETE BOMBEE	4	\$1.84
111-1	1168901111	COMPLETE MITER GAUGE ASS'Y	GUIDE A ONGLETS COMPLET ASS.	1	\$63.19
112	1168901120	PAN HD SCREW	VIS A TETE RONDE	2	\$1.55
114	1168901140	HEX. NUT	ECROU HEXAGONAL	2	\$1.55
115	1168901150	POWER CORD	CORDON D'ALIMENTATION	1	\$20.64
116	1168901160	HINGE	CHARNIERE	2	\$4.31
117	1168901170	LOCK KNOB	BOUTON DE VERROUILLAGE	2	\$9.14
136	1168901360	SUPPORTING SEAT	SIEGE DE SUPPORT	1	\$73.54
137	1168901370	CAP SCREW	BOULON A TETE CYLINDRIQUE	2	\$1.78
138	1168901380	BRACKET	SUPPORT	1	\$43.18
139	1168901390	CAP SCREW	BOULON A TETE CYLINDRIQUE	2	\$1.96
140	1168901400	SELF-TAPPING SCREW	VIS AUTOTARAUDEUSE	1	\$1.50

Pricing subject to change without prior notice. / Prix sujet à changement sans préavis.



Parts Pricing List / Liste de Prix des Pièces **KC-689-OSC-7**

Diag.	Order # Com.	English Description	Description Française	Qty./Qté.	Price/Prix
143	1168901430	SPRING	RESSORT	1	\$13.17
144	1168901440	BALL BEARING	ROULEMENT A BILLES	3	\$17.19
145	1168901450	"E" RETAINING RING	ANNEAU DE RETENU EN "E"	1	\$1.55
146	1168901460	RING	ANNEAU	2	\$21.79
147	1168901470	CAP SCREW	BOULON A TETE CYLINDRIQUE	4	\$2.24
148	1168901480	CAP SCREW	BOULON A TETE CYLINDRIQUE	2	\$2.47
149	1168901490	CAP SCREW	BOULON A TETE CYLINDRIQUE	1	\$2.36
150	1168901500	COUNTERSUNK SCREW	VIS A TETE FRAISEE	3	\$1.78
151	1168901510	UNIVERSAL BEARING SEAT	SIEGE UNIVERSEL DU ROULEMENT	1	\$7.99
154	1168901540	BEARING COVER	COUVERCLE DU ROULEMENT	1	\$7.65
155	1168901550	BALL BEARING	ROULEMENT A BILLES	1	\$12.59
159	1168901590	KEY	CLE DE RETENUE	1	\$2.07
163	1168901630	SPECIAL BUSHING	BAGUE SPECIALE	2	\$20.64
164	1168901640	SPACER	ESPACEUR	2	\$3.39
165	1168901650	CAM	CAME	1	\$38.81
167	1168901670	WORM GEAR	ENGRENAGE	1	\$52.84
168	1168901680	WORM GEAR SHAFT	TIGE DE L'ENGRENAGE	1	\$19.03
169	1168901690	GRAPHITE PAD	TAPIS DE GRAPHITE	1	\$53.99
170	1168901700	SLEEVE	MANCHON	2	\$6.84
173	1168901730	FRONT COVER	COUVERCLE AVANT	1	\$12.59
175	1168901750	REAR COVER	COUVERCLE ARRIERE	1	\$11.33
178	1168901780	NYLON HEX. NUT	ECROU HEXAGONAL AVEC NYLON	2	\$1.73
183	1168901830	OSCILLATING ROLLER	ROULEAU OSCILLANT	1	\$107.81
184	1168901840	SET SCREW	VIS SANS TETE	3	\$1.55
186	1168901860	KEY	CLE DE RETENUE	1	\$2.47
188	1168901880	WORM GEAR	ENGRENAGE	1	\$45.94
191	1168901910	KEY	CLE DE RETENUE	1	\$2.01
192	1168901920	SPRING WASHER	RONDELLE A RESSORT	11	\$1.55
193	1168901930	STRAIN RELIEF	ATTACHE-CORDON	2	\$2.70
194	1168901940	CONNECTION PLATE	PLAQUE DE CONNECTION	1	\$5.69
195	1168901950	SPECIAL THREADED ROD	TIGE FILETEE SPECIALE	1	\$13.51
196	1168901960	HEX. NUT	ECROU HEXAGONAL	1	\$1.55
198	1168901980	PAN HD SCREW	VIS A TETE BOMBEE	2	\$1.90
199	1168901990	DOOR LATCH	LOQUET DE LA PORTE	1	\$27.54
555-4	1168905554	BAG 1: BOLTS, NUTS, & WASHERS	SAC 1: BOULONS, ECROUS ET ROND.	1	\$44.56
555-5	1168905555	BAG 2: RUBBER PADS & HARDWARE	SAC 2: PIEDS EN CAOUT. ET QUINC.	1	\$11.44
555-6	1168905556	BAG 3: LOCK KNOB & SCREWS	SAC 3: BOUTON DE VERR. ET VIS	1	\$12.48
701	1168907010	DRIVE SHAFT	TIGE D'ENTRAINEMENT	1	\$68.94
702	1168907020	BALL BEARING	ROULEMENT A BILLES	2	\$34.44
703	1168907030	WAVE WASHER	RONDELLE ONDULEE	2	\$2.24
704	1168907040	NYLON HEX. NUT	ECROU HEXAGONAL AVEC NYLON	3	\$2.24
705	1168907050	BEARING SEAT	SIEGE DU ROULEMENT A BILLES	1	\$28.69
706	1168907060	WASHER	RONDELLE	2	\$1.55
707	1168907070	ROUND HD ALLEN SCREW	VIS ALLEN TETE RONDE	2	\$2.59
708	1168907080	ROLLER ARM BRACKET	SUPPORT DU ROULEAU	1	\$51.69
709	1168907090	GUARD	GARDE	1	\$17.19
710	1168907100	MICRO ADJUSTMENT NUT	ECROU DE MICRO AJUSTEMENT	1	\$10.29

Pricing subject to change without prior notice. / Prix sujet à changement sans préavis.



Parts Pricing List / Liste de Prix des Pièces KC-689-OSC-7

Diag.	Order # Com.	English Description	Description Française	Qty./Qté.	Price/Prix
711	1168907110	MICRO ADJUSTMENT SCREW	VIS DE MICRO AJUSTEMENT	1	\$8.45
712	1168907120	ARBOR	TIGE	1	\$21.68
713	1168907130	FOAM SHEET FOR FRONT COVER	FEUILLE DE MOUSSE/COUV. AVANT	1	\$4.54
714	1168907140	WORM GEAR BRACKET	SUPPORT DE L'ENGRENAGE SANS FIN	1	\$33.29
715	1168907150	CAP SCREW	BOULON A TETE CYLINDRIQUE	4	\$2.24
716	1168907160	WAVE WASHER	RONDELLE ONDULEE	1	\$2.24
717	1168907170	RETAINING RING/SHAFT	ANNEAU DE RETENU/TIGE	1	\$2.82
718	1168907180	FOAM SHEET FOR DRIVE SHAFT	FEUILLE DE MOUSSE/TIGE D'ENTR.	1	\$4.43
	116890MBIL	BILINGUAL MANUAL KC-689-OSC-7	MANUEL BILINGUE KC-689-OSC-7	1	\$15.00